

Volumetric Dosing and Mixing System

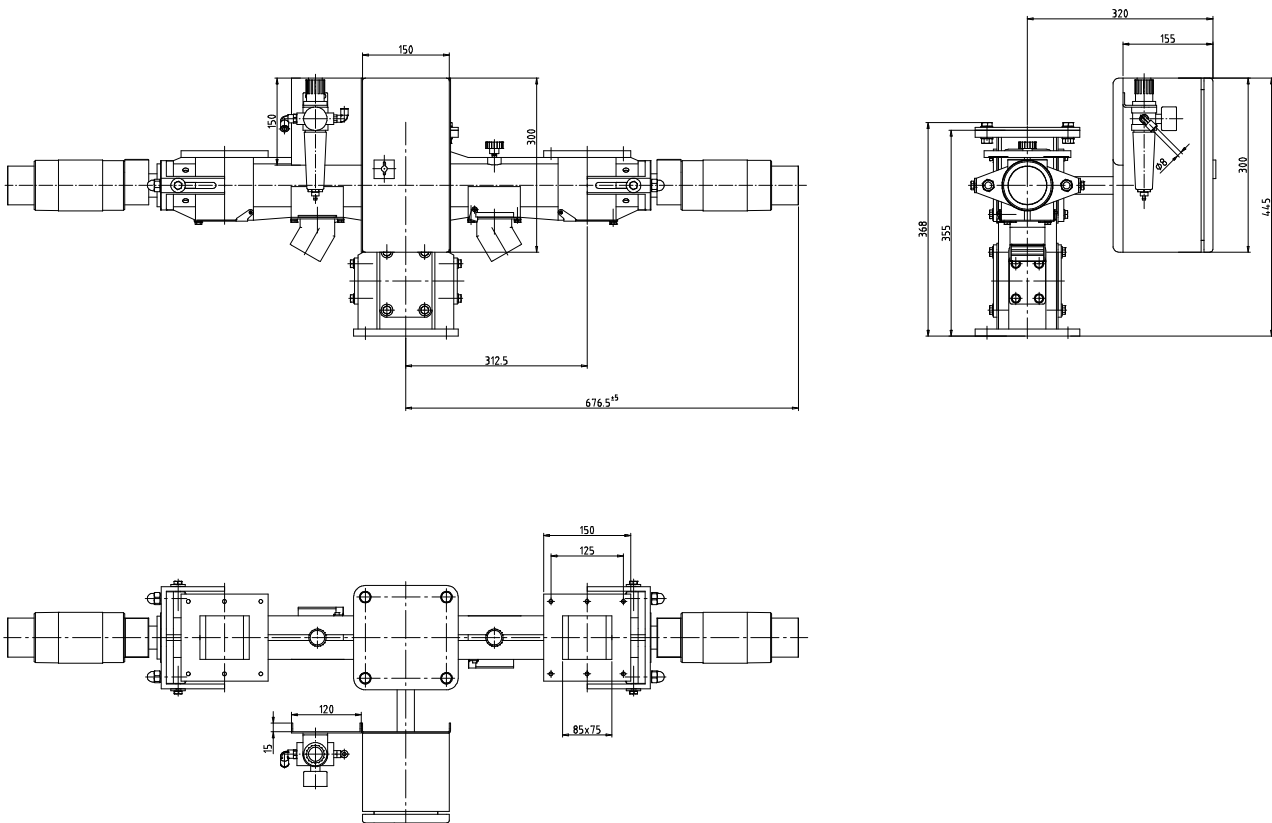
VOLMIX E

Application

The VOLMIX E dosing and mixing system is used in the plastics-processing industry for supplying injection moulding machines and extruders in the low and medium throughput ranges with multi-

component mixtures that are prepared job-specifically. With this system, all free-flowing bulk materials such as pellets, gravel, regrind or film chips can be dosed and mixed.

Technical data



• Throughput	kg/h	max. 300
• Dosing accuracy ¹⁾	%	< 1.0
• Reduction hopper		
– diameter	mm	170; 250; 315
– net volume	l	2; 4; 10
• Material		
– reduction hopper		stainless steel
– inlet pipe		stainless steel
– mixing support		aluminium cast alloy, acrylic glass

• Dosing motors		
– speed range		1 : 50
– ratio of speed HV30/HV60		1 : 25
• Power supply		3 N PE AC 50/60 Hz 400 V
• Operating conditions		
– temp. of bulk material ²⁾	°C	max. 80
– ambient temperature	°C	5 to 45
– relative air humidity t	%	< 80
• Weight ³⁾	kg	max. 50

¹⁾ based on the set throughput

²⁾ up to 160 °C when using high-temperature version

³⁾ dependent on the version and number of dosing stations